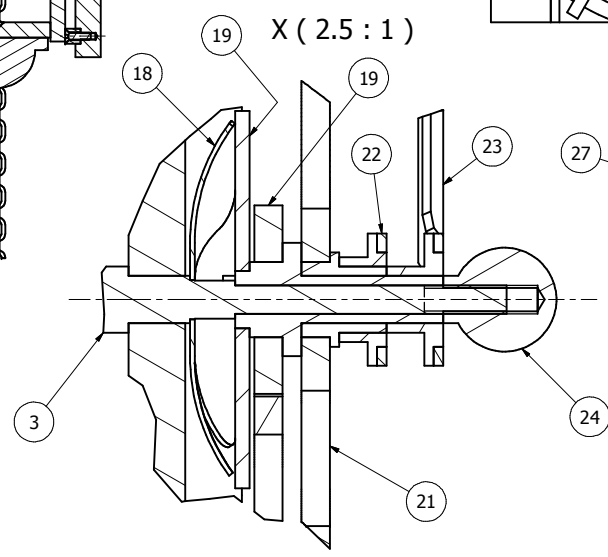
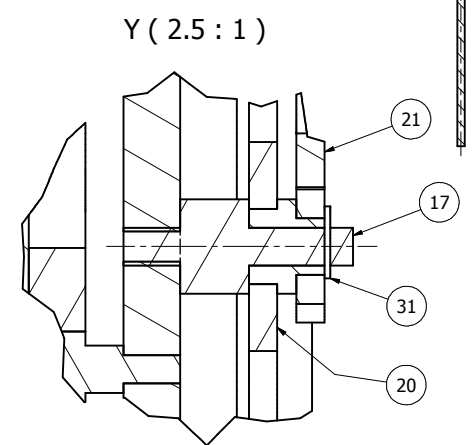
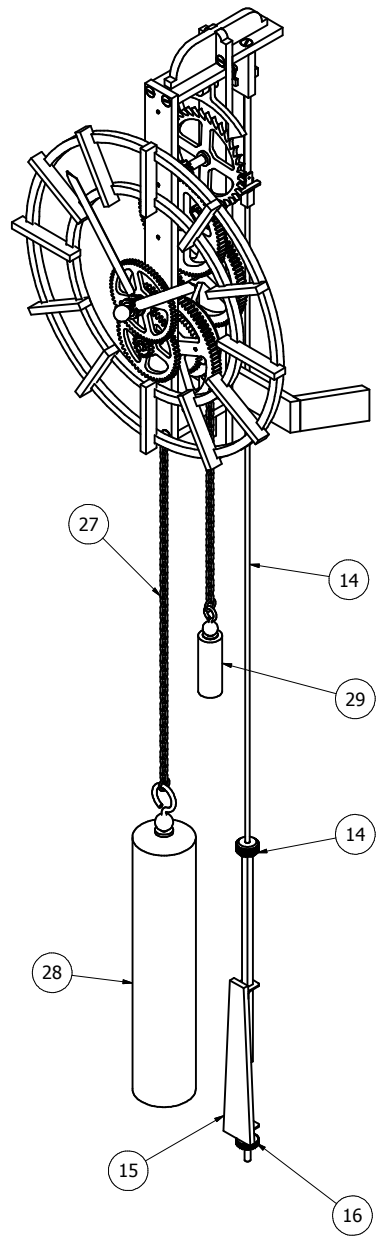
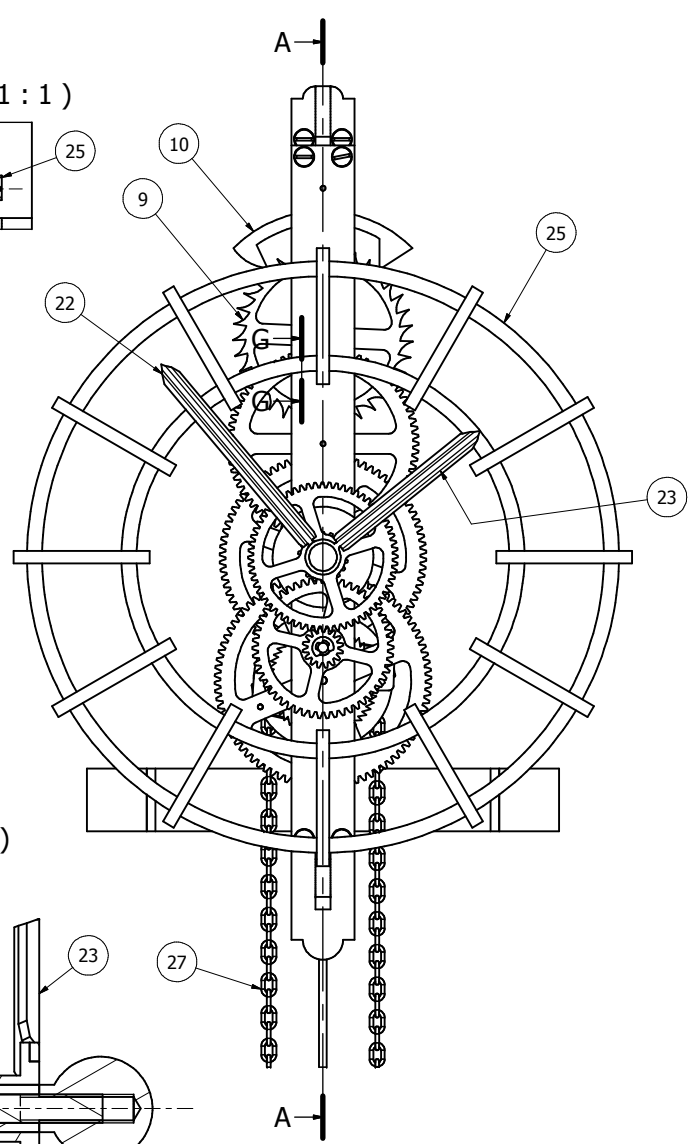
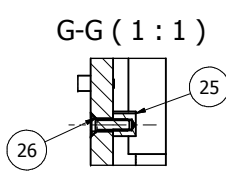
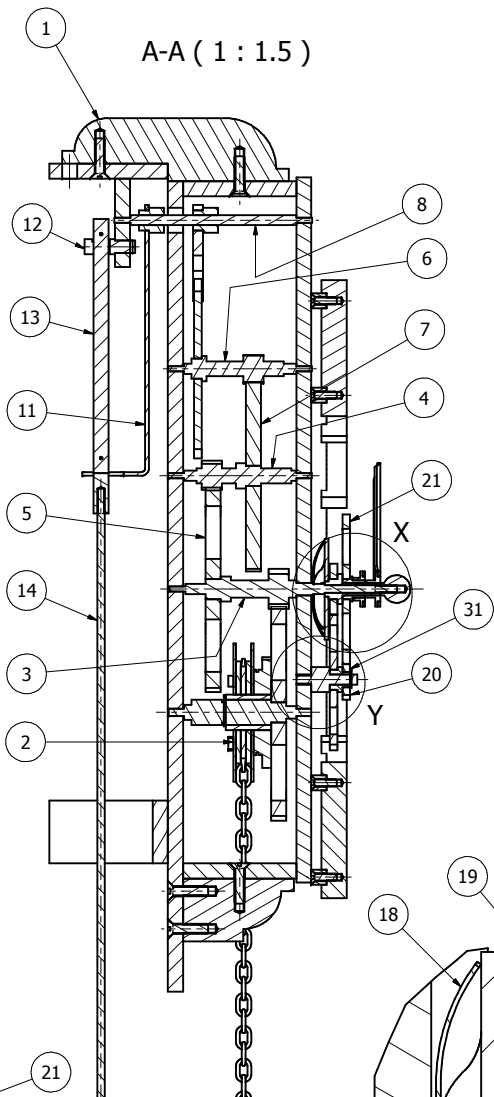


PARTS LIST			
ITEM	QTY	PART NUMBER	DESCRIPTION
1	1	Stoel	
2	1	GR	
3	1	R1	
4	1	R2	
5	1	R12	
6	1	R3	
7	1	R13	
8	1	AR4	
9	1	AR2	
10	1	AR	
11	1	AR5	
12	1	AR6	
13	1	TO1	
14	1	SL1	
15	1	SLP1	
16	1	SL5	
17	1	UR	
18	1	AP2	
19	1	M1	
20	1	U1	
21	1	U3	
22	1	MW	
23	1	UW	
24	1	K1	
25	1	WP	
26	4	Schroef M3x10 VZ	
27	1	Ketting	
28	1	Gewicht 3kg	
29	1	Gewicht 0,9 kg	
31	1	ASME B27.8M - 3EM1-4	General



Designed by Gebruiker	Checked by	Approved by	Date	Date 7-2-2014
RaadhuisKlok			Edition	Sheet 1 / 1