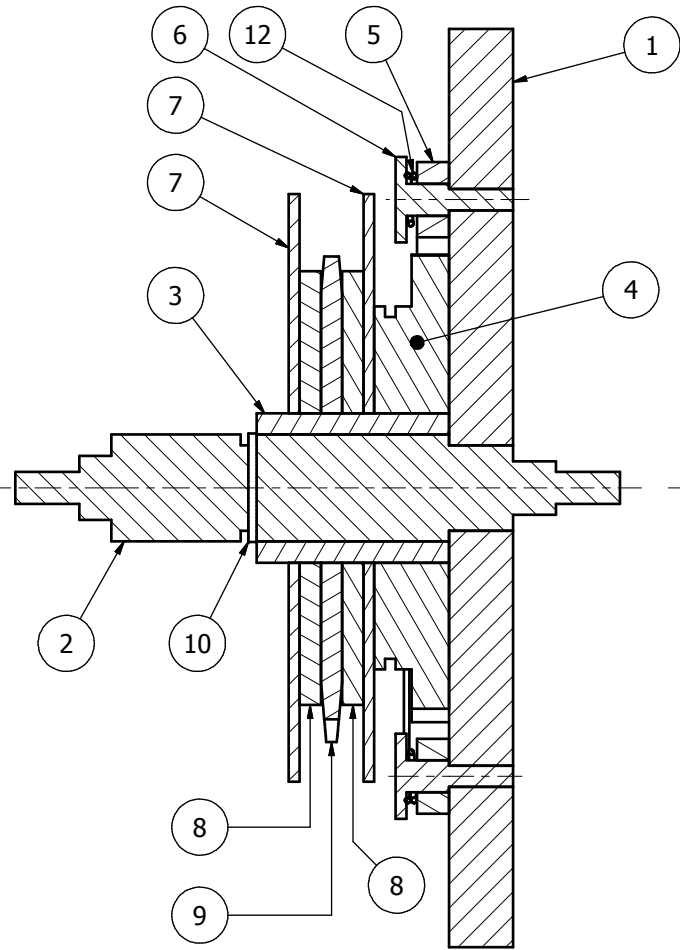


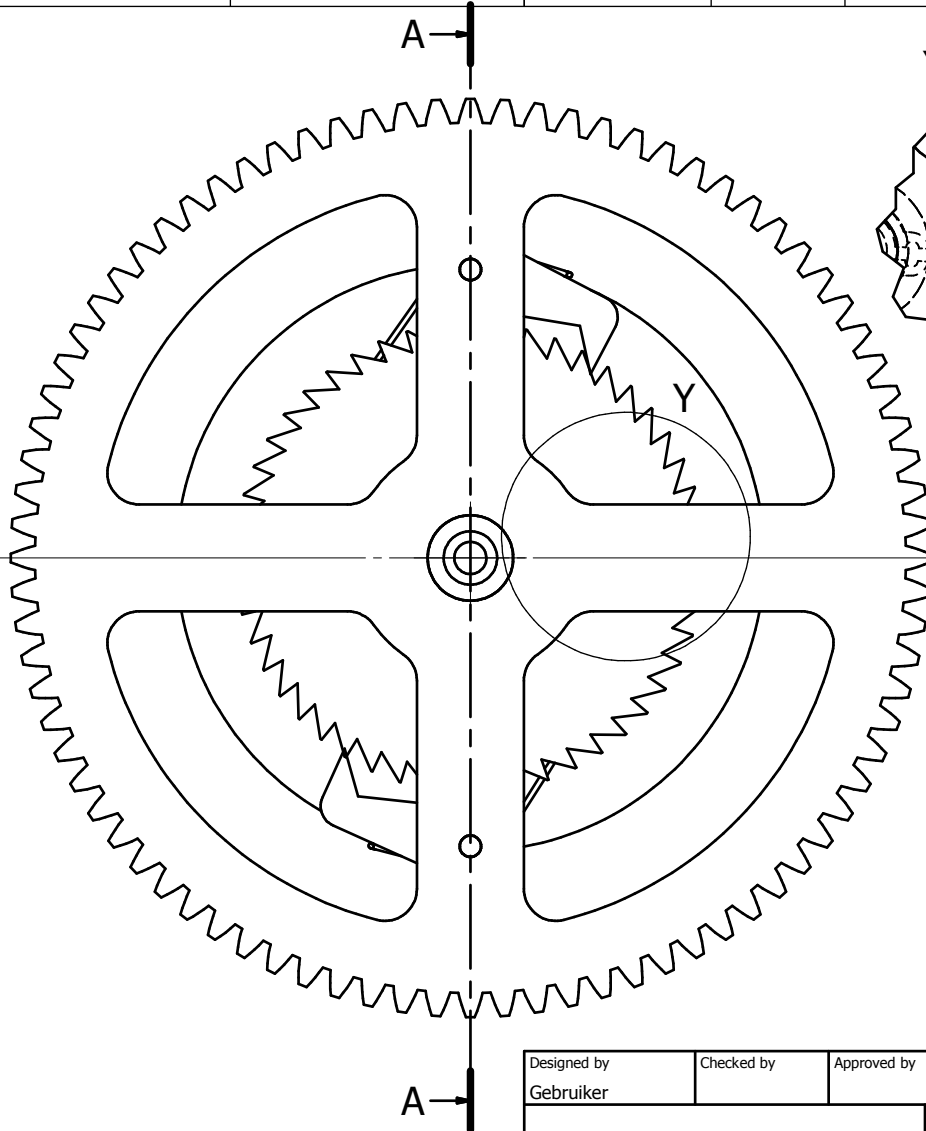
PARTS LIST			
ITEM	QTY	PART NUMBER	DESCRIPTION
7	2	GR8	
8	2	GR7	
9	1	GR6	
10	1	DIN 471 - 8x0,8	Retaining rings for shaft
11	2	Schroef M3x12 CK	
12	2	Veer	

PARTS LIST			
ITEM	QTY	PART NUMBER	DESCRIPTION
1	1	R10	
2	1	GR5	
3	1	GR3	
4	1	GR1	
5	2	GR2	
6	2	GR4	

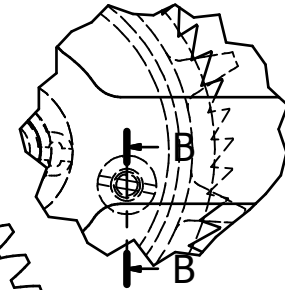
A-A (2:1)



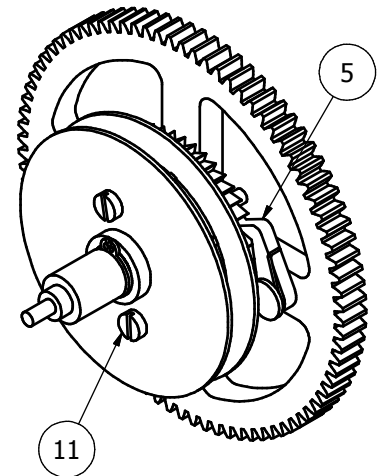
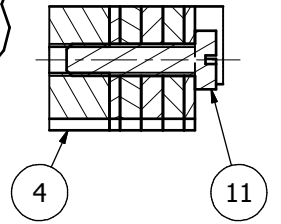
A



Y (2:1)



B-B (2:1)



Designed by Gebruiker	Checked by	Approved by	Date	Date 5-2-2014	
			GR	Edition	Sheet 1 / 1